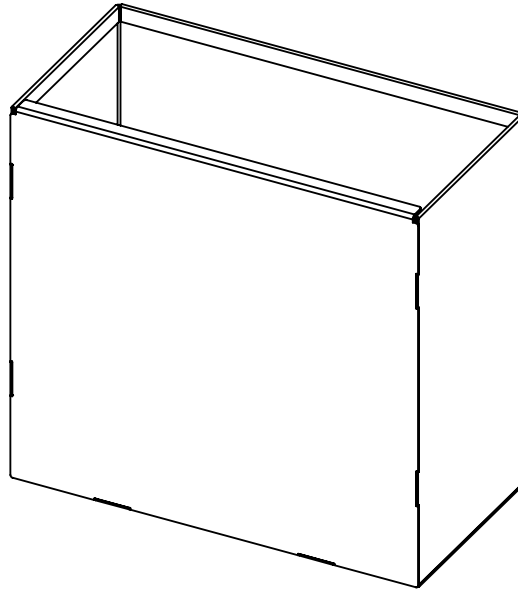




**GEARBOSS**<sup>®</sup>  
by Wenger<sup>®</sup>

Assembly/Owner's Manual  
**GearBoss<sup>®</sup> AirPro<sup>™</sup> Locker  
Security Box Accessory**

---



- Note:** Please read and understand these instructions before attempting installation, assembly or use.
- Note:** Remove all items from the shipping cartons and arrange them in a convenient location. Refer to the illustrations on the following pages.  
If you need additional information, contact Wenger Corporation using the information below.
- Note:** Installation requires two or more people.

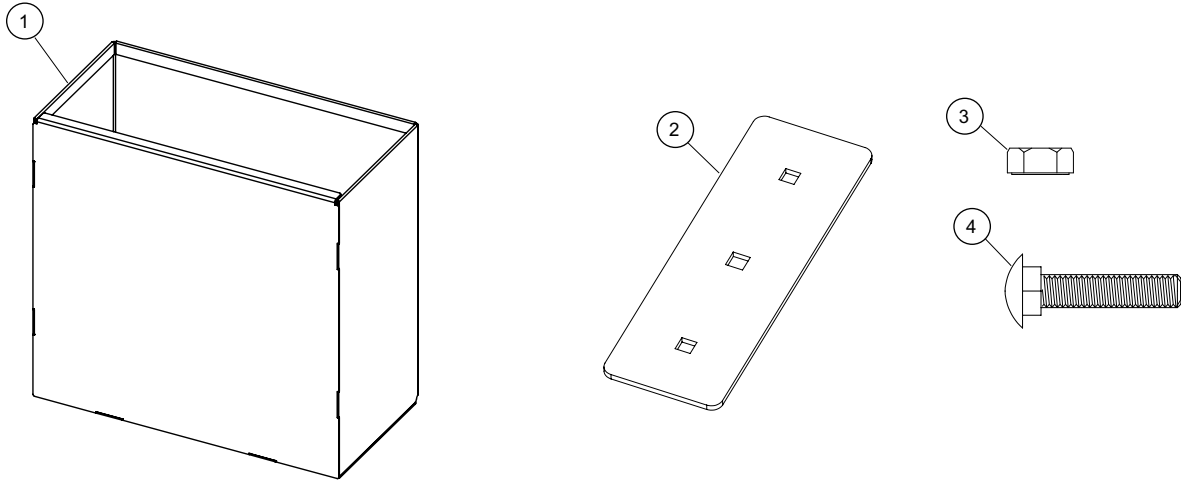
# REQUIRED TOOLS

---

- 1/2" Combination Wrench

# PARTS LIST

---



<u>Item</u>	<u>Qty</u>	<u>Description</u>
1	1	SECURITY BOX
2	1	SECURITY BOX PLATE
3	2	LOCK NUT, 5/16-18
4	2	CARRIAGE BOLT, 5/16-18 X 1"

# SECURITY BOX INSTALLATION

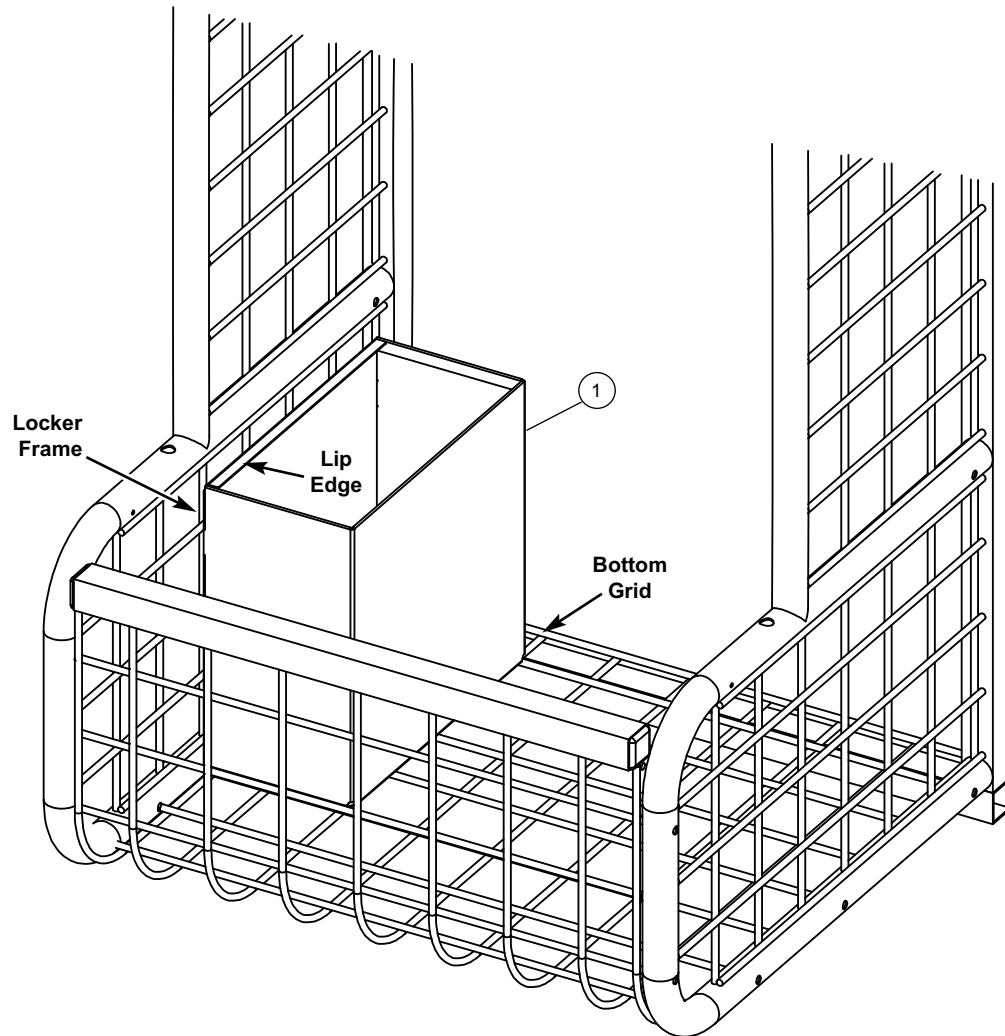
---

1. With the AirPro Locker Seat in the upright position, place the Security Box (#1) in the Bottom Grid of the locker.

**Note:** For clarity, the AirPro Locker Seat is not shown in the illustrations.

2. Position the Security Box (#1) with the lip edge against the left side of the Locker Frame.

Make sure the Security Box is in the rear left corner of the Bottom Grid and tight against the side frame.



# SECURITY BOX INSTALLATION

---

- Secure the Security Box (#1) to the Bottom Grid and the Security Box Plate (#2) using two Carriage Bolts, 5/16-18 x 1" (#4) and two Jam Lock Nuts, 5/16-18 (#3) as shown.

Tighten snugly.

